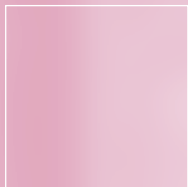
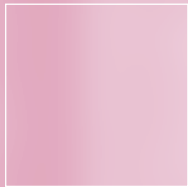
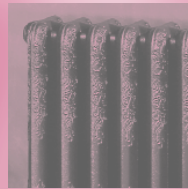


# Burlington



TIMELESS AND ELEGANT CAST  
IRON COLUMN RADIATORS



# BURLINGTON

The classically styled Burlington cast iron column radiator combines the elegance of a bygone era with high efficiency space heating.

To relive the style and elegance of a bygone era you do not need to compromise on heating efficiency. The scrolled relief patterned Burlington may possess the aesthetic qualities necessary to compliment the traditional property, but its performance is second to none, making it a match for the most modern-looking radiator.

The Burlington is the preferred choice for traditionally styled new build or refurbished period properties, where it can replace outdated or antique radiators with minimum disruption to the fabric of the building or the existing pipework.



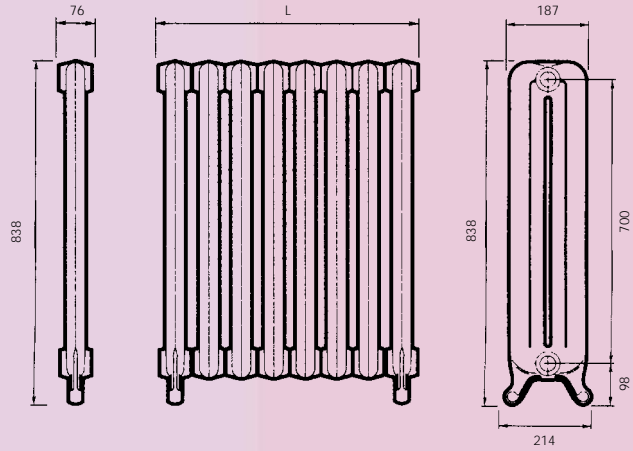
Supplied in a single height of 838mm assembled Burlington radiators can be supplied to site in lengths from 3 to 21 sections. Further sections may be assembled on site for longer finished radiators.

For a wholly authentic period finish the Burlington can be supplied with traditionally styled Chartwell brass valves in 15mm or 3/4" BSP connections or the 15mm Belgravia cross head valve in chrome or gold.

The Burlington is supplied complete with plugs, bushes and vents with a choice of 1/2", 3/4" or 1" connections with a maximum working pressure of 6 bar and a 10 year guarantee against manufacturing defects.

## Single Section Output/Dimensions

Height	mm ins	838 33.0
Centres	mm ins	700 27.55
Section Width	mm ins	76 2.99
Depth	mm ins	214 8.42
Water Volume per Section	lit gal	2.9 0.64
Dry Weight per Section	kg lbs	12.2 26.84
Heat Output per Section	watts Btu/hr	181.9 621
Heat Output per Section	watts Btu/hr	136.2 465
En 442 75-65-20°C		
Maximum Factory Assembled Lengths		21



Note - When connecting bottom opposite ends 24mm must be added to 'L' dimension to allow for the reducing bushes. If connecting top/bottom same end then 12mm must be added to 'L' dimension.

## Multiple Section Outputs/Watts 90/70/20°C

Sections	L - Length mm	Output	Sections	L - Length mm	Output
3 Section	228	546	11 Section	836	2002
4 Section	304	728	12 Section	912	2184
5 Section	380	910	13 Section	988	2366
6 Section	456	1092	14 Section	1064	2548
7 Section	532	1274	15 Section	1140	2730
8 Section	608	1456	17 Section	1292	3094
9 Section	684	1638	19 Section	1444	3458
10 Section	760	1820	21 Section	1596	3640

Further lengths are possible by joining sections

## Thermal Output

The correction factor table below is provided to allow the designer to calculate actual heat emitter output, and is applicable to the quoted 90/70/20°C outputs per section on the left. For correction factor tables relevant to EN442 outputs contact MHS Radiators.

°C	Factor	°C	Factor
5	0.046	45	0.700
10	0.108	50	0.798
15	0.179	55	0.898
20	0.256	<b>60</b>	<b>1.000</b>
25	0.338	65	1.104
30	0.423	70	1.211
35	0.512	75	1.319
40	0.605		



## Radiator Valves



Brass Chartwell  
15mm Valve



Brass Chartwell  
3/4" BSP Valve



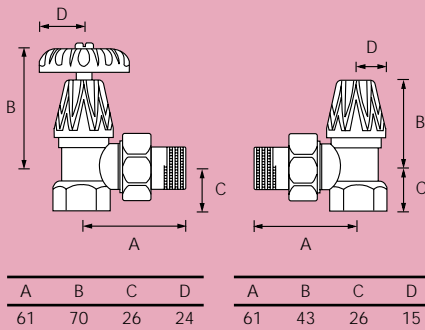
Chrome Belgravia  
15mm Valve



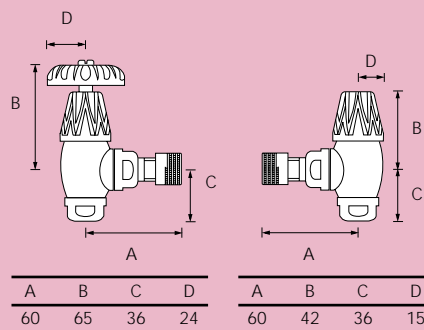
Gold Belgravia  
15mm Valve

## Dimensional Detail

### Chartwell 3/4" BSP Valves

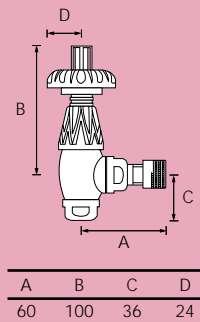


### Chartwell 15mm Valves



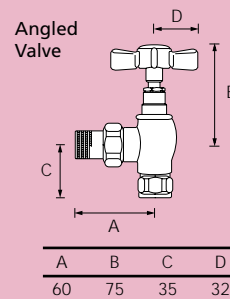
### Chartwell TRV Valves

The Chartwell TRV valve is available in 15mm connection sizes. Lockshield detail as per non TRV valve.



### Belgravia Valves

Belgravia valves are available in 15mm connection sizes. Lockshield and control valves have the same dimensional detail.



## FEATURE RADIATORS

Tel: 01274 567789 Email: [contactus@featureradiators.co.uk](mailto:contactus@featureradiators.co.uk)

[www.featureradiators.com](http://www.featureradiators.com)

This publication is issued subject to alteration or withdrawal without notice. The illustrations and specifications are not binding in detail. All offers and sales are subject to the Company's current terms and conditions of sale.

QW/08/01