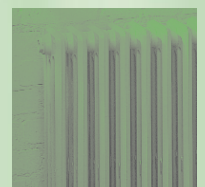
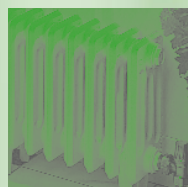
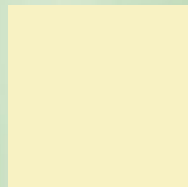
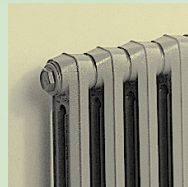
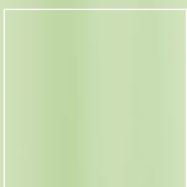


# Clasico



CLASSICALLY STYLED CAST  
IRON COLUMN RADIATORS



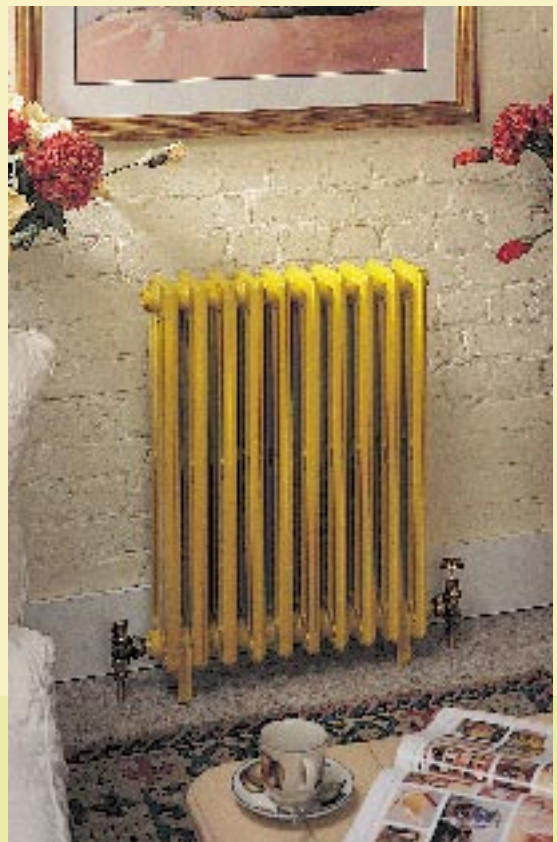
# CLASICO

The timeless Clasico cast iron column radiator looks equally at home in the period house or the modern apartment.

For stunning good looks and the ability to blend with either traditional or contemporary settings, the Clasico cast iron column radiator from MHS Radiators is a truly versatile heat emitter. Its smooth rounded lines and choice of two depths mean that the Clasico can provide timeless elegance with an unobtrusive profile. It is perfect either for new heating systems or for replacing outdated radiators with the minimum disruption to existing installations.

Any style of decor will be complemented by the Clasico, which is supplied in a primer finish and can be painted to blend with any colour scheme.

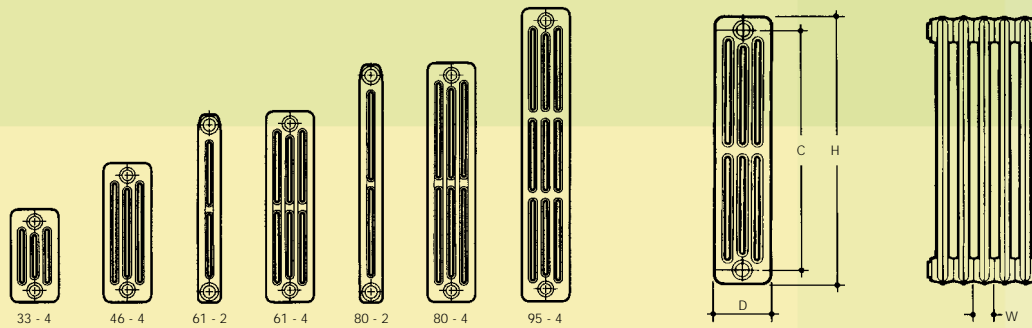
The Clasico is available in heights ranging from 288mm to 870mm, and can be delivered to site assembled in any length up to 20 sections. Further sections may be assembled on site for longer finished radiators.



Each radiator is supplied complete with plugs, bushes and vents with a choice of 1/2", or 3/4" connections. Wall or floor brackets can be supplied to allow the maximum flexibility in siting. To complete the traditional styling, solid brass Chartwell radiator valves may be purchased in a choice of 15mm or 3/4" BSP connection sizes, or the 15mm Belgravia cross head valve in chrome or gold.

Clasico radiators have a maximum working pressure of 6 Bar, and carry a 10 year guarantee against manufacturing defects.





## Single Section Output/Dimensions

Model			33 - 4	46 - 4	61 - 2	61 - 4	80 - 2	80 - 4	95 - 4
Height	H	mm	288	420	562	570	712	720	870
		ins	11.34	16.54	22.13	22.44	28.03	28.34	34.25
Centres	C	mm	218	350	500	500	650	650	800
		ins	8.53	13.78	19.68	19.68	25.59	25.59	31.49
Section Width	W	mm	50	50	60	50	60	55	55
		ins	1.97	1.97	2.36	1.97	2.36	2.16	2.16
Depth	D	mm	140	140	63	140	63	140	140
		ins	5.51	5.51	2.48	5.51	2.48	5.51	5.51
Water Volume per Section		lit	0.40	0.49	0.48	0.60	0.64	0.85	0.97
		gal	0.09	0.10	0.10	0.13	0.14	0.19	0.21
Dry Weight per Section		kg	2.58	3.19	3.00	4.19	3.70	5.17	6.54
		lbs	5.68	7.02	6.60	9.22	8.14	11.37	14.39
Heat Output per Section		watts	55.5	79.4	74.3	106.7	94.3	141.9	169.7
		Btu/hr	189	271	254	364	322	484	579
Heat Output per Section En 442 75-65-20°C		watts	38.4	54.7	50.9	73.6	64.6	98.5	116.2
		Btu/hr	131	187	174	251	220	336	397
Maximum Factory Assembled Lengths			20	17	20	17	17	17	17

## Multiple Section Outputs/Watts 90/70/20°C

Sections	33 - 4	46 - 4	61 - 2	61 - 4	80 - 2	80 - 4	95 - 4
3	167	238	223	320	283	426	509
4	222	318	297	427	377	568	679
5	278	397	372	534	472	710	849
6	333	476	446	640	566	851	1018
7	389	556	520	747	660	993	1188
8	444	635	594	854	754	1135	1358
9	500	715	669	960	849	1277	1527
10	555	794	743	1067	943	1419	1697
11	611	873	817	1174	1037	1561	1867
12	666	953	892	1280	1132	1703	2036
13	722	1032	966	1387	1226	1845	2206
14	777	1112	1040	1494	1320	1987	2376
15	833	1191	1115	1601	1415	2129	2546
16	888	1270	1189	1707	1509	2270	2715
17	944	1350	1263	1814	1603	2412	2885
18	999	1429	1337	1921	1697	2554	3055
19	1055	1509	1412	2027	1792	2696	3224
20	1110	1588	1486	2134	1886	2838	3394
21	1166	1667	1560	2241	1980	2980	3564
22	1221	1747	1635	2347	2075	3122	3733
23	1277	1826	1709	2454	2169	3264	3903
24	1332	1906	1783	2561	2263	3406	4073
25	1388	1985	1858	2668	2358	3548	4243
26	1443	2064	1932	2774	2452	3689	4412
27	1499	2144	2006	2881	2546	3831	4582
28	1554	2223	2080	2988	2640	3973	4752
29	1610	2303	2155	3094	2735	4115	4921
30	1665	2382	2229	3201	2829	4257	5091
31	1721	2461	2303	3308	2923	4399	5261
32	1776	2541	2378	3414	3018	4541	5430
33	1832	2620	2452	3521	3112	4683	5600
34	1887	2700	2526	3628	3206	4825	5770
35	1943	2779	2601	3735	3301	4967	5940
36	1998	2858	2675	3841	3395	5108	6109
37	2054	2938	2749	3948	3489	5250	6279
38	2109	3017	2823	4055	3583	5392	6449
39	2165	3097	2898	4161	3678	5534	6618
40	2220	3176	2972	4268	3772	5676	6788

Further lengths are possible by joining sections.

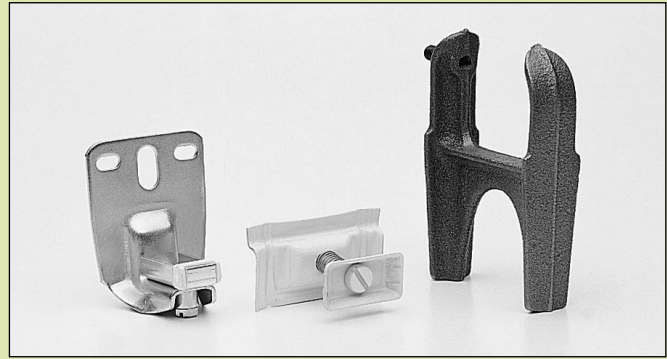
The heat outputs quoted are based upon a mean water temperature in the radiator of 80°C (176°F) and a room temperature of 20°C (68°F). For other operating conditions refer to the table of correction factors on page 4.

# Bracketry

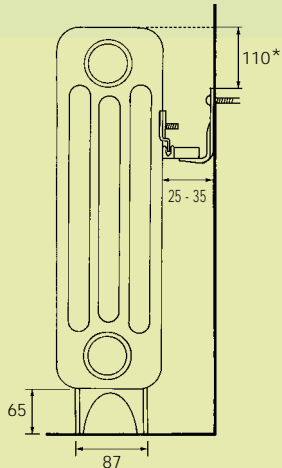
## Bracket / Support Requirement

Brackets available for each radiator model

Model	No. Sections	No. Sections	No. Sections
33 - 4	4 to 17	18 to 22	23 to 32
46 - 4	4 to 17	18 to 22	23 to 32
61 - 2	4 to 17	18 to 22	23 to 32
61 - 4	4 to 17	18 to 22	23 to 32
80 - 2	4 to 17	18 to 22	23 to 32
80 - 4	4 to 17	18 to 22	23 to 32
95 - 4	4 to 15	16 to 21	22 to 28
No. of Brackets	2	3	4

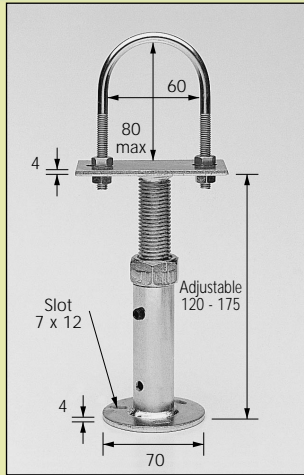


Cast Iron Feet and Wall Tie

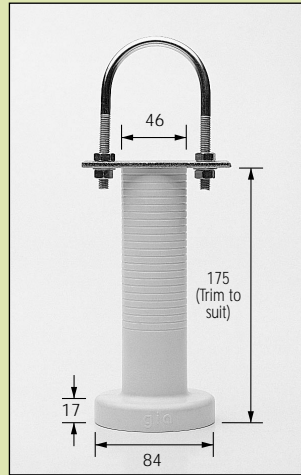


\*Recommended Fixing Height

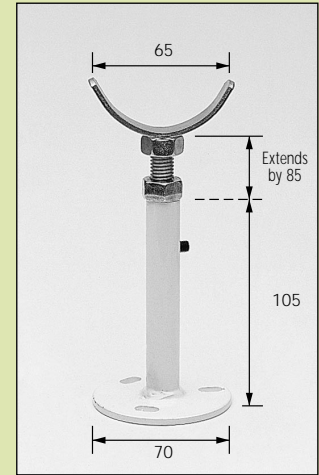
Cast Iron Floor Bracket



Free Standing MP

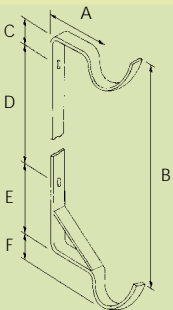


Cover for MP (Finish RAL 9001)



Floor Support MP1

All dimensions in mm



## Steel Wall Brackets

Model	A	B	C	D	E	F
33 - 4	110	218	40	78	100	30
46 - 6	110	350	40	190	120	30
61 - 2	72	500	40	340	120	30
61 - 4	110	500	40	340	120	30
80 - 2	72	650	40	490	120	30
80 - 4	110	650	40	490	120	30
95 - 4	110	800	40	640	120	30

## Thermal Output

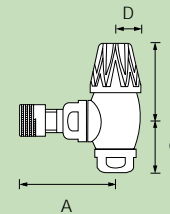
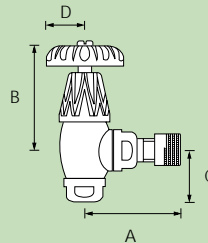
The outputs quoted in the preceding tables are based on a mean water temperature in the radiator of 80°C and a room temperature of 20°C (ie 60°C difference). For other operating conditions the following factors should be applied:

°C	Factor	°C	Factor
5	0.046	45	0.700
10	0.108	50	0.798
15	0.179	55	0.898
20	0.256	60	1.000
25	0.338	65	1.104
30	0.423	70	1.211
35	0.512	75	1.319
40	0.605		

FOR CORRECTION FACTORS RELEVANT TO EN442 OUTPUTS CONTACT MHS RADIATORS.

## Chartwell Valves

Chartwell valves are available in 15mm or 3/4" BSP.



15mm	A	B	C	D
	60	65	36	24

3/4" BSP	A	B	C	D
	60	42	36	15

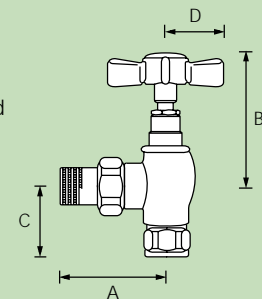
3/4" BSP	A	B	C	D
	61	43	26	15

3/4" BSP	A	B	C	D
	61	70	26	24

## Belgravia Valves

Belgravia valves are available in 15mm connection sizes. Lockshield and control valves have the same dimensional detail.

A	B	C	D
60	75	35	32



Feature Radiators Limited

Email: [contactus@featureradiators.co.uk](mailto:contactus@featureradiators.co.uk) Tel: 01274 567789 Fax: 01274 561183

[www.featureradiators.com](http://www.featureradiators.com)

This publication is issued subject to alteration or withdrawal without notice.

The illustrations and specifications are not binding in detail. All offers and sales are subject to the Company's current terms and conditions of sale.

QW/8/01