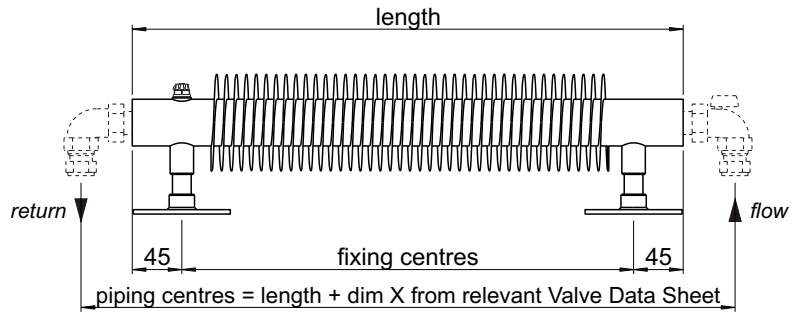
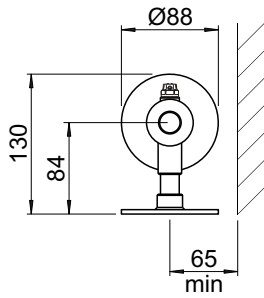
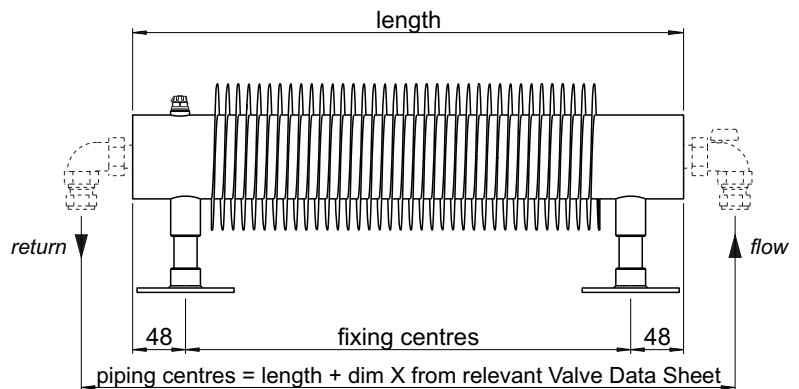
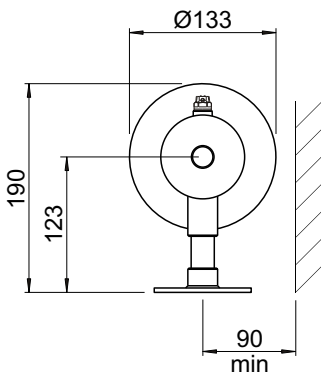


SMALL DIAMETER - FF SERIES



LARGE DIAMETER - XFF SERIES



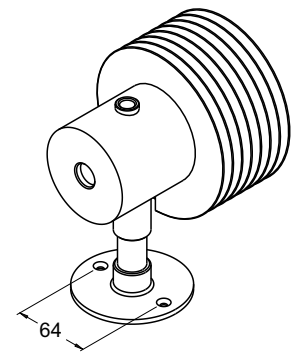
All dimensions shown are in millimetres

- Test pressure: **12 BAR**
- Max working pressure: **8 BAR**
- Max working temperature: **95° C**
- All steel construction
- Connections: **½ inch BSP opposite end tapplings**

This radiator may only be installed horizontally on floor

Heat output determined in accordance with EN 442

Manufactured for Bisque in Italy



Mounting Foot Detail

Model	Output* ΔT=50K Watts	Output* ΔT=60K Watts	n	Water Content litres	Weight kg	Height ± 2mm	Length ± 2mm	Tapping Centres ± 2mm	Fixing Centres ± 2mm
FF-100	269	336	1.23	1.1	7	130	1000	n/a	910
FF-150	413	517	1.23	1.6	11	130	1500	n/a	1410
FF-200	557	706	1.30	2.2	14	130	2000	n/a	1910
XFF-100	401	504	1.25	4.1	11	190	1000	n/a	904
XFF-150	616	774	1.25	6.8	17	190	1500	n/a	1404
XFF-200	831	1044	1.25	8.1	22	190	2000	n/a	1904

* for chrome finish reduce shown output by 12%

Tools & Material Required

- Screws - 4mm diameter x 60mm length
- Suitable valves
- PTFE tape
- Silicone thread sealant
- Tape measure
- Allen key - 13mm & 12mm (when installing Bisque valves)
- Spanner - 17mm
- Screwdriver
- Electric drill
- Masonry drill bit - to suit screw

Key	Component	Qty
A	Air Vent - 1/4"	1
B	Screw - 4mm dia x 60mm*	6
C	Air Vent Key	1

* Screws not supplied

Assembly Instructions

Sufficient PTFE tape must be applied to valve-tail threads prior to their installation.
 Silicone thread sealant should be applied to all threaded components manufactured with 'O-rings'.

- Fit valve tails, using correct size Allen key.
- Fit air vent (A).
- Accurately mark out holes for mounting feet on floor to dimensions as shown on Technical Data Sheet.
- Drill four holes to suit screws (B).
- Fix radiator to floor with screws (B).
- Plumb radiator to heating circuit with flow opposite air vent.

