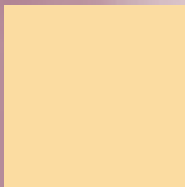
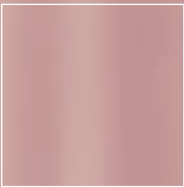


# New Liberty



VICTORIAN STYLED CAST IRON COLUMN RADIATORS



**BS EN442**

BS EN 442-1:2015  
BS EN 442-2:2015



# NEW LIBERTY

The stunning Victoriana New Liberty cast iron column radiator blends with the period setting while providing modern comfort heating. For period properties and traditional furnishing styles, the New Liberty cast iron column radiator from MHS Radiators is the perfect heat emitter. Its scrolled relief patterns and Victoriana looks transform the new Liberty from humble radiator to stunning reproduction centrepiece, making it unnecessary to hide or conceal the heating system. Where the period setting includes highly-prized panelling, the free-standing Liberty will avoid damage to the wall. The New Liberty is supplied in an attractive Umber Grey, RAL 7022 primer finish which will compliment most colour schemes, or it can be finished with any colour from the MHS Colour Card.

It is perfect either for new heating systems or for replacing outdated or antique radiators with the minimum disruption to existing installations.



The New Liberty is available in three heights of 660mm, 760mm and 954mm, which fits neatly below standard dado rail positions. Assembled radiators can be delivered to site in lengths comprising from 3 to 21 sections\*. Further sections may be assembled on site for longer finished radiators.

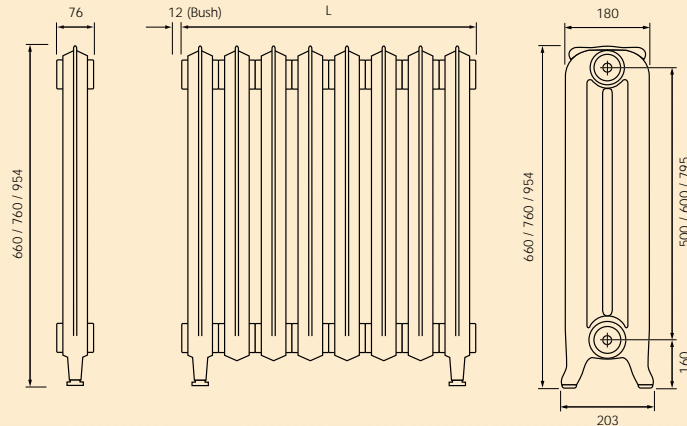
Each radiator is supplied complete with plugs, bushes and vents with a choice of 1/2", 3/4" or 1" connections. To complete the traditional styling, solid brass Chartwell radiator valves may be purchased in a choice of 15mm, 15mm TRV, 1/2" or 3/4" BSP-F connection sizes or the 15mm Belgravia cross head valve in chrome or gold to provide a completely authentic ensemble.

New Liberty radiators have a maximum working pressure of 6 Bar (test 10 bar max.) and carry a 10 year guarantee against manufacturing defects.

\* 15 Sections on 954 high

## Single Section Output/Dimensions

Height	mm	660	760	954
	ins	25.98	29.92	37.55
Centres	mm	500	600	795
	ins	19.68	23.62	31.30
Section Width	mm	76	76	76
	ins	2.99	2.99	2.99
Depth	mm	203	203	203
	ins	7.99	7.99	7.99
Water Volume per Section	lit	2.26	2.60	3.30
	gal	0.50	0.57	0.73
Dry Weight per Section	kg	10.80	11.00	13.50
	lbs	23.76	24.20	29.70
Output @ $\Delta t$ 50 BS EN442	watts	111	121	151
	Btu/hr	378	413	515
Output @ $\Delta t$ 55.5 BS EN442	watts	127	138	172
	Btu/hr	433	472	586
Output @ $\Delta t$ 60 BS EN442	watts	140	153	191
	Btu/hr	479	523	652
Maximum Factory Assembled Lengths		21	21	15



## Multiple Section Outputs/Watts 75/65/20°C $\Delta t$ 50 BS EN442

Sections	L - Length mm	Output 660 High	Output 760 High	Output 954 High
3 Section	228	333	363	453
4 Section	304	444	484	604
5 Section	380	555	605	755
6 Section	456	666	726	906
7 Section	532	777	847	1057
8 Section	608	888	968	1208
9 Section	684	999	1089	1359
10 Section	760	1110	1210	1510
11 Section	836	1221	1331	1661
12 Section	912	1332	1452	1812
13 Section	988	1443	1573	1963
14 Section	1064	1554	1694	2114
15 Section	1140	1665	1815	2265
17 Section	1292	1887	2057	2567
19 Section	1444	2109	2299	2869
21 Section	1596	2331	2541	3171

## Correction Factor Table

$\Delta t$	CF
60	1.267
59	1.240
58	1.213
57	1.186
56	1.159
55.5	1.145
55	1.132
54	1.105
53	1.079
52	1.052
51	1.026
50	1.000
45	0.872
40	0.748
35	0.629

Further lengths are possible by joining sections (make up tool required).

The outputs shown within this brochure are based on BS EN442, 75-65-20°C operating conditions, giving a  $\Delta t$  of 50°C, for  $\Delta t$ 's other than this, a correction factor must be applied.

Example: Output required @ 82-71-21°C  $\Delta t$  55.5 the CF = 1.145, therefore multiply the listed output by the correction factor to give actual radiator output under these operating conditions.



## Radiator Valves



Brass Chartwell  
15mm Valve



Brass Chartwell  
15mm TRV valve



Chrome Belgravia  
15mm Valve

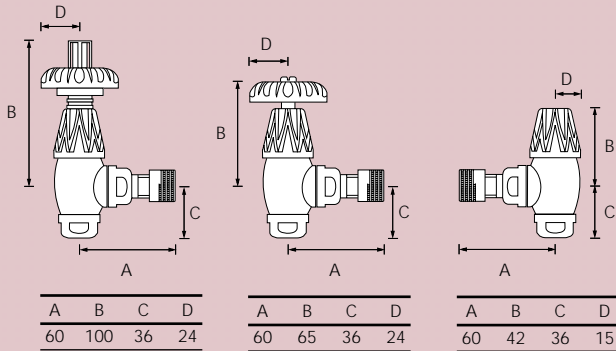


Gold Belgravia  
15mm Valve

## Dimensional Detail

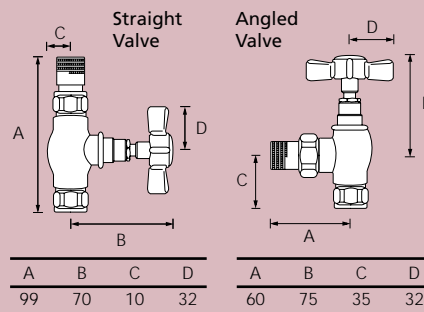
### Chartwell Valves

Chartwell valves are available in 15mm, 15mm TRV, 1/2" - 3/4" BSP

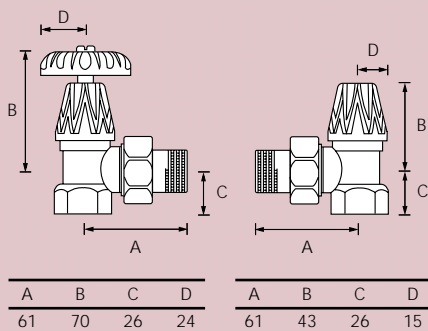


### Belgravia Valves

Belgravia valves are available in 15mm connection sizes. Lockshield and control valves have the same dimensional detail.



### Chartwell 3/4" BSP Valves



### Water Treatment

This product is for use on closed heating systems only and is not suitable for installation within secondary HWS circuits.

On completion of installation the system should be properly flushed and filled (in accordance with BS 5449 section five Commissioning) in order to remove debris and minimise the presence of solid particles and chemical residues which may cause corrosion and damage within the system.

If a corrosion inhibitor is to be used, this should be in accordance with the manufacturer's instructions and recommendations and should take into account the particular metals within the system.

**Note:** For additional stability, it is recommended that a wall tie (available from MHS Radiators) is fitted to each radiator. Do not Powdercoat this product.

#### FEATURE RADIATORS

Bingley Railway Station, Wellington Street, Bingley, West Yorkshire  
BD16 2NB Tel: 01274 567789 Fax: 01274 561183

[www.featureradiators.com](http://www.featureradiators.com)

This publication is issued subject to alteration or withdrawal without notice. The illustrations and specifications are not binding in detail. All offers and sales are subject to the Company's current terms and conditions of sale.