

# feature radiators

Effective from 1<sup>st</sup> October 2011



Burnished iron / Burnished gold / Burnished copper

## ROCOCO

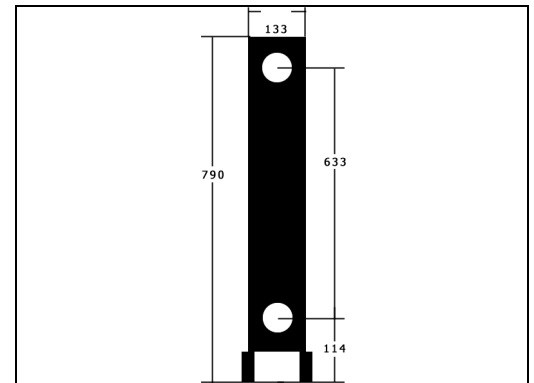
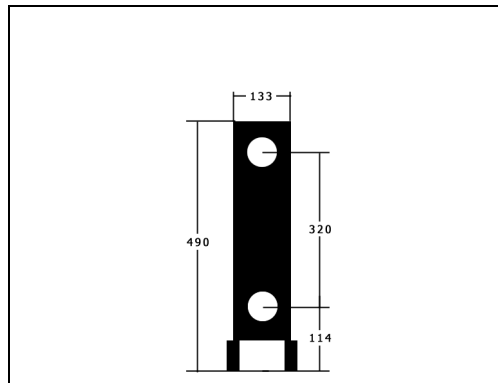
Cast from originals found in a Parisian bordello

Cast iron radiator hand-built using traditional methods

Supplied pre-assembled up to 15 sections.

We believe the quality and finish of our cast iron radiators are second to none. The devil's in the detail. Our radiator sections are joined together using seals which have been specifically sourced to ensure a neat finish between sections. This avoids the risk of paint issues that have been seen in cast iron radiators where standard seals are used.

Below are approximate measurements of assembled radiator sections (end bush to end bush) these are intended as a rough guide only.



### ROCOCO

**490mm high**  
133mm deep

**790mm high**  
133mm deep

sections	length mm	output		primer	top coat	output		primer	top coat
		watts	btus	£	£	watts	btus	£	£
3	260	402	1371	162	176	633	2160	214	228
4	330	536	1828	216	235	844	2880	285	304
5	400	670	2285	270	293	1055	3600	357	380
6	470	804	2742	324	352	1266	4320	428	455
7	540	938	3199	378	411	1477	5040	499	531
8	610	1072	3656	432	469	1688	5760	570	607
9	680	1206	4113	486	528	1899	6480	642	683
10	750	1340	4570	541	587	2110	7200	713	759
11	830	1474	5027	595	645	2321	7920	784	835
12	900	1608	5484	649	704	2532	8640	856	911
13	970	1742	5941	703	762	2743	9360	927	987
14	1040	1876	6398	757	821	2954	10,080	998	1063
15	1110	2010	6855	811	880	3165	10,800	1070	1139

For burnished finish - add £12 per section to the top coat prices above for tall Rococos, add £10 per section for short Rococos.

▪ Further notes overleaf

[www.featureradiators.co.uk](http://www.featureradiators.co.uk)

bingley railway station, wellington street, bingley, west yorkshire bd16 2nb  
tel. 01274 567789 fax. 01274 561183 email: [contact@featureradiators.co.uk](mailto:contact@featureradiators.co.uk)

# feature radiators

## Finishes

- Available in *matt metallic finishes* (old gold, bronze, lead, anthracite, black, pewter, sovereign gold) and *burnished finishes* (burnished iron, burnished copper and burnished gold). Colour card available on request. Burnished finish is a paint finish which highlights the decorative detail in the casting. **The burnished finish is done by hand so bear in mind that variation will occur.** Shade variations may occur from one paint batch to the next. Where it is imperative that radiators exactly colour match, then such radiators should be ordered together. If you are looking to match the colour of radiators ordered previously, please disclose this at the time of order, so we can do what we can to minimize the variation in shade.
- Warning: please be aware that pewter and other light coloured paint finishes highlight the imperfections characteristic of cast iron more than the darker colours.
- Primer finish available for on site painting or we can deliver direct to your own painter in the UK. We strongly advise against powder coating this product as this process can weaken the seals between sections. Powder coating will invalidate the manufacturer's guarantee.
- These radiators have a textured finish which is characteristic of cast iron. If you are looking for a column style radiator with a smooth finish please see our Classic and Bordo ranges, which are made of steel.

- Approximate pipe centres can be provided if you wish to install your pipework in advance of receiving your radiator. these measurements are intended as a rough guide only.
- Radiators are supplied with the necessary fixings i.e. brackets, spacers, air vents etc (note: screws are not supplied).
- To complete the look see our valves page for traditional style valves (valves are not included as standard).
- Nationwide delivery available – usually £25 per consignment.
- To order or for further information, please call or email.
- Heat outputs are shown at operating temperatures of 90/70/20 ( $\Delta t 60^{\circ}\text{C}$ ).
- All sales are subject to our standard terms and conditions, a copy of which can be downloaded from our website.

***These prices are exclusive of VAT***

**[www.featureradiators.co.uk](http://www.featureradiators.co.uk)**

bingley railway station, wellington street, bingley, west yorkshire bd16 2nb  
tel. 01274 567789 fax. 01274 561183 email: [contact@featureradiators.co.uk](mailto:contact@featureradiators.co.uk)