

# feature radiators

## EDWARDIAN 2

Effective from 9<sup>th</sup> January 2012



Edwardian 2 460mm high, 5 sections in Old Gold

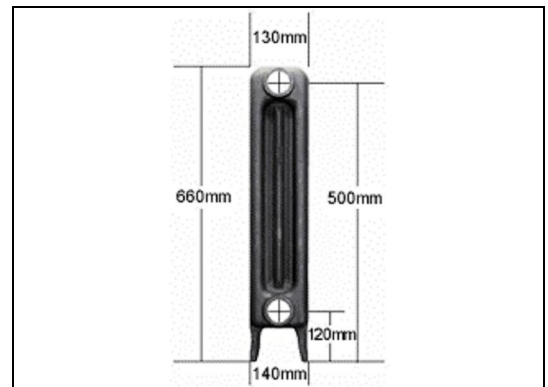
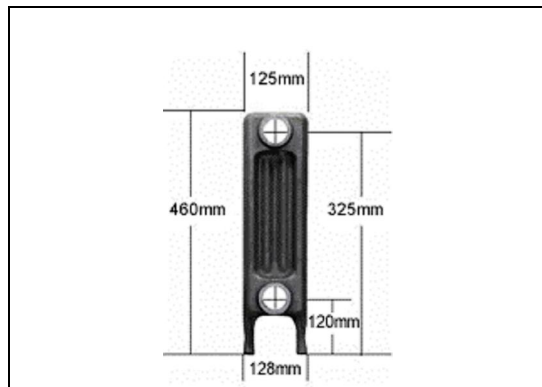


Edwardian 2 660mm high, 7 sections in Old Gold

Simple classic styling with slow curving tactile edges, the Edwardian 2 brings authenticity to period properties and effortless style to contemporary interiors. Chunky and substantial in appearance, and finished to the highest standard, this Edwardian 2 is as good as it gets.

Supplied pre-assembled and ready to install.

Below are approximate measurements of assembled radiator sections (end bush to end bush). As these radiators are hand built, measurements are intended as a rough guide only.



### EDWARDIAN 2

#### 460mm high 128mm deep

Sections
3
4
5
6
7
8
9
10
11
12
13
14
15
16
17
18
19
20

Length (mm)	Heat output		Primer £	Top coat £
	Watts	BTUs		
264	382	1302	125	145
337	509	1736	160	187
410	636	2170	195	228
483	763	2604	230	270
556	890	3038	265	312
629	1018	3472	300	353
702	1145	3906	335	395
775	1272	4340	370	437
848	1399	4774	405	478
921	1526	5208	440	520
994	1654	5642	475	562
1067	1781	6076	510	603
1140	1908	6510	545	645
1213	2035	6944	580	687
1286	2162	7378	615	728
1359	2290	7812	650	770
1432	2417	8246	685	812
1505	2544	8680	720	853

#### 660mm high 140mm deep

Length (mm)	Heat output		Primer £	Top coat £
	Watts	BTUs		
275	448	1527	135	155
356	597	2036	173	200
437	746	2545	212	245
518	895	3054	250	290
599	1044	3563	288	335
680	1193	4072	327	380
761	1342	4581	365	425
842	1492	5090	403	470
923	1641	5599	442	515
1004	1790	6108	480	560
1085	1939	6617	518	605
1166	2089	7126	557	650
1247	2238	7635	595	695
1328	2387	8144	633	740
1409	2536	8653	672	785
1490	2685	9162	710	830
1571	2834	9671	748	875
1652	2984	10,180	787	920

• More information overleaf.

[www.featureradiators.com](http://www.featureradiators.com)

bingley railway station, wellington street, bingley, west yorkshire bd16 2nb  
tel. 01274 567789 fax. 01274 561183 email: [contactus@featureradiators.co.uk](mailto:contactus@featureradiators.co.uk)

# feature radiators

## Finishes:

Primer:	Available for on site painting or for delivery direct to your chosen painting company in the UK.
Standard painted finishes:	Traditional matt metallic colours - old gold, old bronze, lead, anthracite, pewter, black and sovereign gold – colour card available on request.  Wide range of RAL colours – colour card available. Please ask for details and pricing.
Matched colours:	We may also be able to colour match to any non-textured paint range (including Farrow and Ball, Aga, Rayburn, Little Greene Paint Co, Fired Earth, Paint Library and Dulux colours) for an additional charge. Please ask for details and pricing.

## Notes:

Cast iron radiators have a textured finish. For a smooth finish, please see our Classic, Creamery and Bordo ranges, which are made of steel.

Shade variations may occur from one paint batch to the next and over the years our standard for some colours has changed. Accordingly, where radiators are to be used in the same room and/or a colour match is important, it is advisable to order all radiators at the same time.

Pewter, white, cream and other light coloured paint finishes will highlight the imperfections characteristic of cast iron more than the darker colours.

For radiators in primer, we strongly advise against powder coating as this process can weaken the seals between sections. Powder coating will invalidate the manufacturer's guarantee.

- All Edwardian 2 radiators are made to order. Lead time: Approximately 4 weeks.
- Once manufacture has commenced, orders cannot be cancelled.
- Our radiator sections are joined together using seals that have been specifically sourced to ensure a neat finish between sections. This avoids the risk of paint issues that have been seen in cast iron radiators where standard seals are used.
- Approximate pipe centres can be provided if you wish to install your pipework in advance of receiving your radiator. These measurements are intended as a rough guide only.
- Radiators are supplied with the necessary fixings i.e. brackets, spacers, air vents etc (note: screws are not supplied).
- To complete the look, see our valves page for traditional style valves (valves are not included as standard).
- Nationwide delivery available – usually £25 per consignment.
- 10 year manufacturer's guarantee against manufacturing defects – maximum working pressure of 6 bar.
- To order or for further information, please call or email.
- Heat outputs are shown at operating temperatures of 90/70/20 ( $\Delta t 60^{\circ}\text{C}$ ).
- Water treatment – the manufacturer's guarantee will only be valid if your radiators are installed in accordance BS 5449 section five commissioning. On completion of installation the system should be properly flushed and filled to remove debris and minimise the presence of solid particles and chemical residues, which may cause corrosion and damage within the system. Use of the corrosion inhibitor should be in accordance with the manufacturer's instructions and recommendations and should take into account the particular metals within the system.
- All sales are subject to our standard terms and conditions, a copy of which can be downloaded from our website or is available on request.

**These prices are exclusive of VAT.**

[www.featureradiators.com](http://www.featureradiators.com)

bingley railway station, wellington street, bingley, west yorkshire bd16 2nb  
tel. 01274 567789 fax. 01274 561183 email: [contactus@featureradiators.co.uk](mailto:contactus@featureradiators.co.uk)